



INDUSTRIAL LED LIGHTING & INDICATOR

A large graphic element consisting of a grey arrow pointing down and to the left, followed by the text 'Company Profile' in a blue serif font, and another grey arrow pointing down and to the right.

Tianjin Geneuo Technology Co., Ltd. specializes in the development, production and sales of industrial automation products, system integration and engineering service.

- Communication solution

- Industry EtherNET Switch

- Fieldbus modules: ProfiNET, EtherNET/IP, EtherCAT, MODBUS TCP/IP I/O modules

- Inductive sensors

- Different housing design are available:M5 to M80 and cubic

- Optimized connection technology for efficient automation

- M5 to M40 receptacle, pre-moulding cable, field wireable connectivity

- Passive junction box and splitters

- Industrial network connectors for ProfiNET, EtherNET/IP, EtherCAT, MODBUS TCP/IP,Profibus,DeviceNET,CC-link.

- LED lighting

- Machine station lighting

- Factory lighting

- Intelligent lighting solutions

Geneuo exceptionally large product portfolio does not only cover all relevant standard solutions but also the special requirements of individual industries. The products and the total solution have been widely used in automotive, iron & steel, machine tool, elevator, textile, packaging, rubber machine etc.



Catalog

Preface

- Technical Parameter 001

Machine LED Lighting

A01-A14

- Strip Lighting BLT32 A01
- Strip Lighting BLT48 A04
- Circular LED Lighting BL50G/64G A06
- Integrated lighting ELL32 A08
- Integrated lighting ELL120 A11
- Integrated lighting ELL70D/90D A14

Cabinet Lighting

B01-B04

- Cabinet Lighting BLL32 B01

LED Indicators

C01-C04

- LED Signal Tower light BG50 C01
- LED Bulb Indicators BD50 C03

LED (Light Emitting Diode) , is a semiconductor light-emitting solid device. It changed the incandescent tungsten light and energy-saving lamps glowing three-color dye, while the use of electro-luminescence.

LED advantages:

▲ Long life time: LED solid as a semiconductor light-emitting device, compared to other light-emitting devices have a longer working lifetime. Its brightness half-life is usually reached 100,000 hours. If you use LED lights instead of the traditional on car, then it will be much larger than car body life without repair and replacement features.

▲ Low power consumption: LED is a low-voltage operation device, and therefore under the same brightness, it has minimal power consumption, the same wattage LED lights and incandescent compared to the brightness is more than five times the latter, therefore, can significantly reduce energy consumption. Moreover, with the development of future technology and materials, LED will have a higher luminous efficiency.

▲ Fast response: LED generally respond in tens of nanoseconds (ns) , it is a high-speed device, which is unmatched by other sources. With LED brake light at high speed, it can greatly improving the safety of the car

▲ Small size, light weight, corrosion Fight: This is an intrinsic characteristic of the semiconductor solid device. Color LED can be used to produce a variety of fine clear display.

▲ Easy dimming, coloring, controlling: LED as a light emitting device, can change the brightness through the current flow, the color change can also be achieved by adjusting different wavelengths LED configurations. Thus the light or LED display used LED source, easy to be reached by the electronic control required for various applications.

In addition, the application of LED light sources in principle by the shape of the restrictions, malleable, and can be arbitrarily extended to achieve modular assembly. In the field of screen color display, LED is very advantageous.

▲ Conducive to environmental protection: no ultraviolet and infrared spectra, neither heat nor radiation; small glare, and recyclable waste, no mercury, lead pollution elements; cold light source, safe touch, typical of the green lighting .

LED lamps' Luminous Decay

With the extension of the lighting time, brightness gradually decay phenomenon, known as LED lamps "Luminous Decay". Under normal circumstances, LED light failure to follow such a law (normal operating temperature): There is no light decay within 1000 hours; 3000 hours:3%; 50,000 hours:30% .To reduce light failure, prolong LED lamp life, chip manufacturers, packaging companies and application manufacturers need to work together.

For chip manufacturers, select good material, reduce the LED junction temperature, choose low thermal resistance material as the LED heat sink; Packaging plant need to select good thermal quality of the material, to improve their packaging technology; and for application manufacturers, and the way to solve the structure of the whole heat lamps, maximize the reduction of the LED light failure, to extend the time for customers to use LED lamps

Luminous Flux

Luminous flux: having the unit symbol “lm”. The radiant power is the total radiated power in watts, also called radiant flux. This power must be factored by the sensitivity of the human eye to determine luminous flux in lumens. Because the human eye depending on the relative rates of different wavelengths of light to see different, so the radiation power of different wavelengths of light are equal, the luminous flux is not equal.

Light Intensity

The power (flux) per unit solid angle (sometimes called pointance) is the nearest precise terminology to the common term intensity. It expresses the directionality of the radiated energy and is appropriate for the description of point sources. In the case of radiant power, it is expressed in watts per steradian. For visible light it is expressed in lumens per steradian = candela.

Luminance

In photometry, illuminance is the total luminous flux incident on a surface, per unit area. It is a measure of how much the incident light illuminates the surface, wavelength-weighted by the luminosity function to correlate with human brightness perception, expressed in units of lux (Lux, lx), namely lm / m^2 .

Color Temperature(CCT)

The color temperature of a light source is the temperature of an ideal black-body radiator that radiates light of comparable hue to that of the light source. In practice, color temperature is only meaningful for light sources that do in fact correspond somewhat closely to the radiation of some black body, i.e., those on a line from reddish/orange via yellow and more or less white to blueish white; it does not make sense to speak of the

color temperature of, e.g., a green or a purple light.

Color temperature is conventionally stated in the unit of absolute temperature, the Kelvin, having the unit symbol K.

Warm White:2780...3710K;

Pure White:3711K...4746K;

Cool White:4747K...7040K.



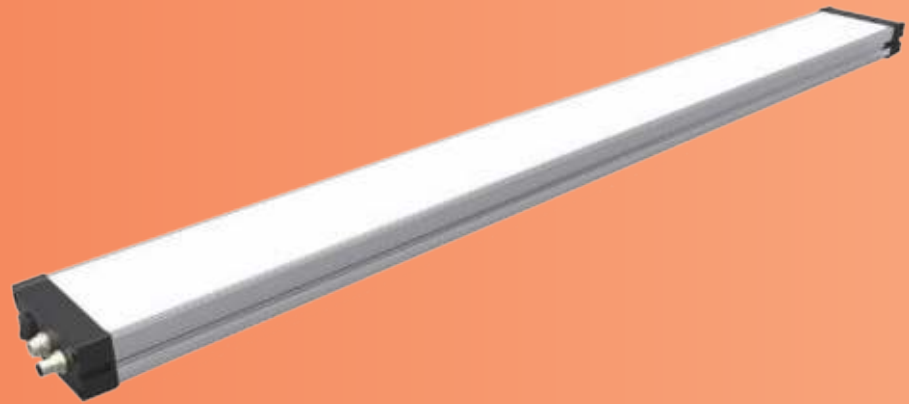
Luminous Efficacy

Luminous efficacy is a measure of how well a light source produces visible light. It is the ratio of luminous flux to power. Expressed in lumens per watt (lm / w).

Color Rendering Index(CRI)

CRI quantitative measure of the ability of a light source to reveal the colors of various objects faithfully in comparison with an ideal or natural light source. The value often quoted as 'CRI' on commercially available lighting products is properly called the CIE Ra value, 'CRI' being a general term and CIE Ra being the international standard colour rendering index. Numerically, the highest possible CIE Ra value is 100, The higher ,the better.





Machine LED Lighting

A

Strip lighting BLT32

Compact Structure , Four lengths , Adjustable , High quality machine LED light

- Shell width 32mm, Lighting lengths available with 250/500/750/1000mm
- 24V DC (Blank) or 220V AC (-AC)
- High performance LED package, high thermal conductivity, low glare, low light decay, lens and non-lens type, with uniform light distribution and no shadow , lens type can be use for long distance and high illuminance environment
- Alumina housing and durable glass window , waterproof and dustproof up to IP65
- Cabled and quick-disconnect models available
- Stand-alone and cascadable models available
- The L-type swivel mounting brackets



Lens type



non-lens type

BLT32	W	250	L60	-	M	C	/	2M	-	XXX
1	2	3	4		5	6		7		8

1. Series Name

2. LED Color : W - Cool White 5700K , WW - Warm White 3500K , WP - Pure white 4000K

3. Light body length(mm) : 250mm , 500mm , 750mm , 1000mm

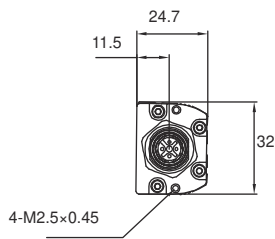
4. LED source type : L60 is lens type ; Blank is non-lens (220VAC only have non lens type)

5. Window material : Blank - Transparent Glass , M - Frosted Glass

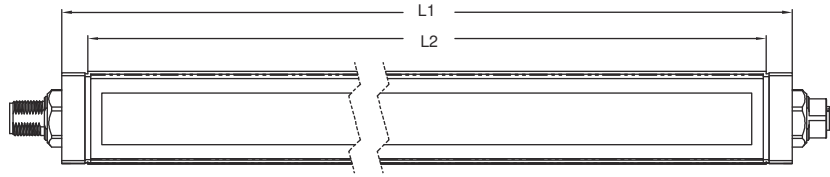
6. C - Cascadable ; Blank-stand alone

7. Wiring : Blank - M12x1 4-pin , 2M - 2m cable (other cable length can be customized)

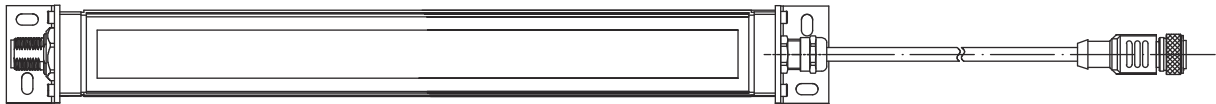
8. Remarks Bit , -AC is 220VAC type



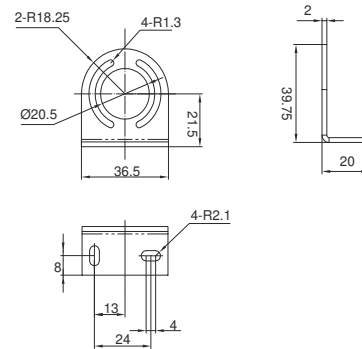
This shape is 24VDC , L1, L2, refer to the following type list



This shape is 220VAC connector type(pigtail connector,cable length is 50mm)



The default matching mounting brackets, angle adjustable, 304 stainless steel, each lamp with two mounting brackets



DC 24V Comment Models parameter table (18~30VDC)

※When 24VDC Voltage input , 1000mm models suggested be in series no more than 2pcs

※Wiring way reference to A03

※Details of other models and parameters, Please consult the LED PM



Model	L1	L2	Power	Current (24V)	Window	Stand alone/In series	Wiring
BLT32W250	268	250	6.5W	0.27A	Transparent glass	Stand alone	Connector※
BLT32W250-M/2M	268	250	6.5W	0.27A	Frosted glass	Stand alone	2mCable※
BLT32W500	518	500	12.5W	0.54A	Transparent glass	Stand alone	Connector
BLT32W500-M	518	500	12.5W	0.54A	Frosted glass	Stand alone	Connector
BLT32W500L60-C	518	500	13.5W	0.56A	Transparent glass	In series	Connector
BLT32W750	768	750	19W	0.8A	Transparent glass	Stand alone	Connector
BLT32W750L60-MC	768	750	20.5W	0.85A	Frosted glass	In series	Connector
BLT32W1000	1018	1000	25W	1.05A	Transparent glass	Stand alone	Connector
BLT32W1000-C	1018	1000	25W	1.05A	Transparent glass	In series※	Connector
BLT32W1000L60-MC	1018	1000	27W	1.2A	Frosted glass	In series※	Connector

Strip lighting BLT32

AC 220V Comment Models Parameter Table (85~264VAC)

※When 220V Voltage input , 1000mm models suggested be in series no more than 10pcs

※50mm Pigtail connetor shape refer to A02

※Details of other models and parameters, Please consult the LED PM



Model	L1	L2	Power	Current (220V)	Window	Stand alone/In series	Wiring
BLT32W250-M/2M-AC	268	250	6	0.06	Frosted glass	Stand alone	2m cable
BLT32W500-M/2M-AC	518	500	12	0.12	Frosted glass	Stand alone	2m cable
BLT32W500-M-AC	518	500	12	0.12	Frosted glass	Stand alone	Pigtail connector※
BLT32W750-M/2M-AC	768	750	18	0.16	Frosted glass	Stand alone	2m cable
BLT32W1000-M/2M-AC	1018	1000	23	0.2	Frosted glass	Stand alone	2m cable
BLT32W1000-MC-AC	1018	1000	23	0.2	Frosted glass	In series※	Pigtail connector※

Wiring (24VDC &220VAC Models)

Series	Pre-moulding connector	Pin out	Connector model <small>※This model is 2m cable , the other length canbe customized</small>	Wiring Diagram
BLT32 (DC)		Female 	EK3-2M/P00 EK4-2M/P00 EK3 EZ3-2M/P00 (Double ended)	
BLT32 (220VAC)		Female 	ELL32S-K-2M ELL32S-K-Z-2M (Double ended)	

- Shell width 48mm, Light lengths available with 200/400/600/800mm
- High performance LED package, high thermal conductivity, low glare, low light decay
- Alumina housing with anodizing surface, durable toughened glass window , waterproof and dustproof up to IP67
- Cascadable models, the maximum number of cascadable lights up to 8pcs when the input 24V
- Mounting brackets with angle adjustable
- Easy installation: 4-pin M12 quick-disconnect models



BLT48	W	200	-	M	-	XXX
1	2	3		4		5

1. Series Name

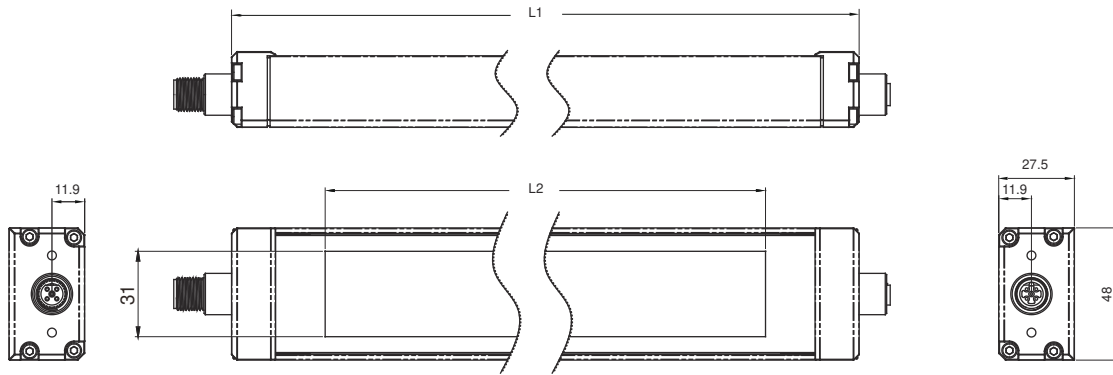
2. LED Color, W - Cool White 5700K, WW - Warm White 3500K, WP - Pure white 4000K

3. Light body length(mm) : 200mm , 400mm , 600mm , 800mm

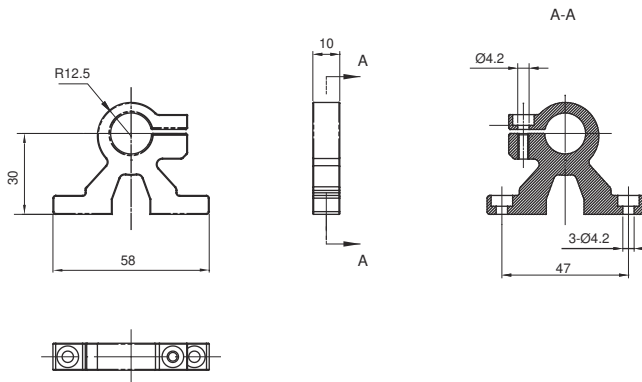
4. Window material, Blank - transparent mask, M - Frosted Glass

5. Remarks Bit , Blank-stand alone

Strip lighting BLT48



The default matching mounting brackets, angle adjustable, die cast aluminum, each lamp with two mounting brackets



※The panel of this series is frosted glass,cascadable models available
 ※When 24VDC Voltage input , 800mm models suggested be in series no more than 2pcs



DC 24V Comment Models parameter table (18~30VDC)

Model	L1	L2	Power	Current (24V)	Luminous flux	Stand alone/In Series	Wiring
BLT48W200-M	226	160	6.7W	0.28A	600lm	in Series※	Connector
BLT48W400-M	426	360	13.2W	0.55A	1200lm	in Series※	Connector
BLT48W600-M	626	560	20.6W	0.85A	1850lm	in Series※	Connector
BLT48W800-M	826	760	28W	1.1A	2400lm	in Series※	Connector

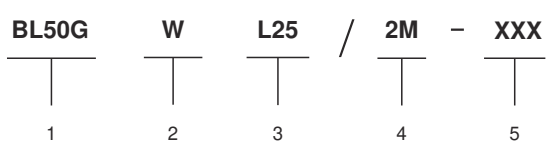
Wiring (24VDC Models)

Series	Pre-moulding connector	Pin out	Connector model <small>※This model is 2m cable , the other length canbe customized</small>	Wiring Diagram
BLT48 (DC)			EK3-2M/P00 EK4-2M/P00 EK3 EZ3-2M/P00 (Double ended)	

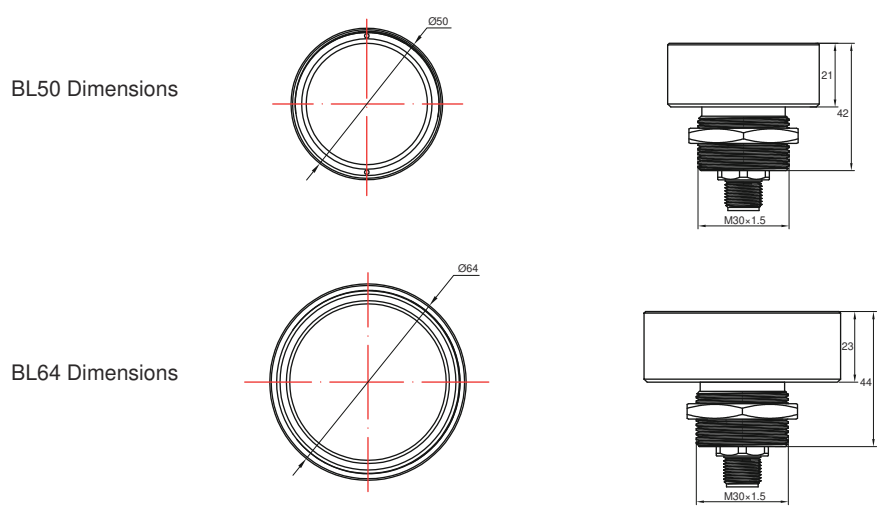
Waterproof and dustproof up to IP67 , Small volume , High brightness , High quality local lighting



- Two different diameter dimensions 50mm and 64mm, to meet different customer needs
- Input voltage : 24V DC
- Lens type with higher brightness
- Robust housing, waterproof and dustproof up to IP67, Suitable for the wet and harsh environments
- Cabled and quick-disconnect models available
- 30mm foot-mounted or flex Arm Mounts



1. Series Name , BL50G : diameter 50mm , BL64G : diameter 64mm
2. LED Color , W - Cool White 5700K, WW - Warm White 3500K, WP - Pure white 4000K
3. L25 , The LED source with lens for spotlighting
4. Wiring, Blank - M12x1 4-pin, 2M - 2m cable (For flex arm mounts only)
5. Remarks Bit , Blank-stand alone

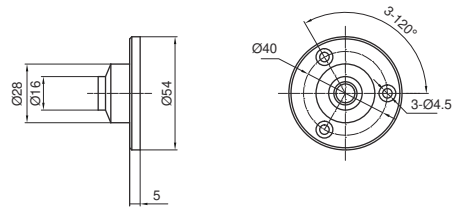


BL50G / 64G circular series



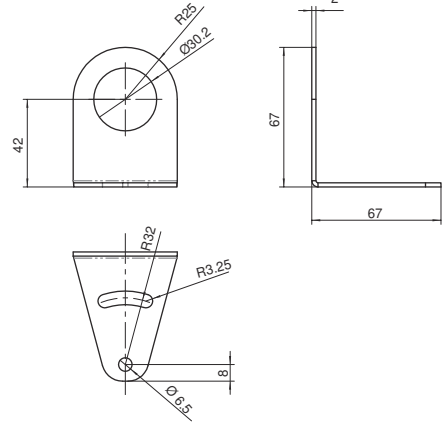
1. Flex Arm Mounts(For cabled models only)
Type NO.: BLZ-01

Reprovision bracket, Flex arm diameter 13mm, the default length 400mm, the angle can be adjusted, circular base.



2.Right-angle Bracket
Type NO.: BLZ-L01

Reprovision bracket, angle adjustable, 304 stainless steel, each lamp with a mounting bracket



DC 24V Comment Models parameter table (18~30VDC)



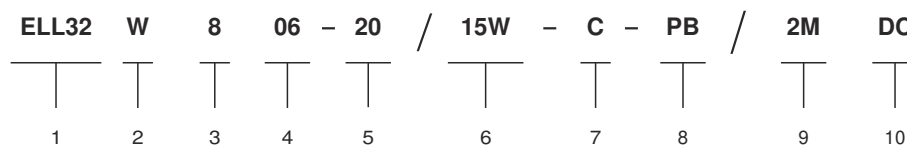
Model	Power	Current (24V)	Luminous flux	Beam angle	Window	Stand alone/In Series	Wiring
BL50GWL25	2.5W	0.3A	200lm	30°	Glass	Stand alone	Connector
BL50GWL25/2M	2.5W	0.3A	200lm	30°	Glass	Stand alone	2mCable※
BL64GWL25	4.2W	0.59A	330lm	40°	Glass	Stand alone	Connector
BL64GWL25/2M	4.2W	0.59A	330lm	40°	Glass	Stand alone	2mCable※

Wiring (24VDC Models)

Series	Pre-moulding connector	Pin out	Connector model ※This model is 2m cable , the other length canbe customized	Wiring Diagram
BL50G (DC) BL64G (DC)			EK3-2M/P00 EK4-2M/P00	

Compact structure , Integrated installation , High quality lighting for workstation

- LED Module and driver integrated design, compact structure, easy to install
- High-performance PC diffusers, uniform and soft light
- Ra > 80 , R9 > 0 , the color of the object can be restored well
- 24V DC & 220V AC input voltage available
- Cabled and quick-disconnect models available
- Quick-disconnect type using special high current, high voltage type connector
- Isolated constant current driver for flicker-free, safe and reliable



1. Series Name

2. LED Color : W - Cool White 5700K , WW - Warm White 3500K , WP - Pure white 4000K

3. Ra : 80~89

4. Light-emitting surface length(mm) : 300、600、900、1200

5. IP index : IP20

6. Power : 8W , 15W , 23W , 30W

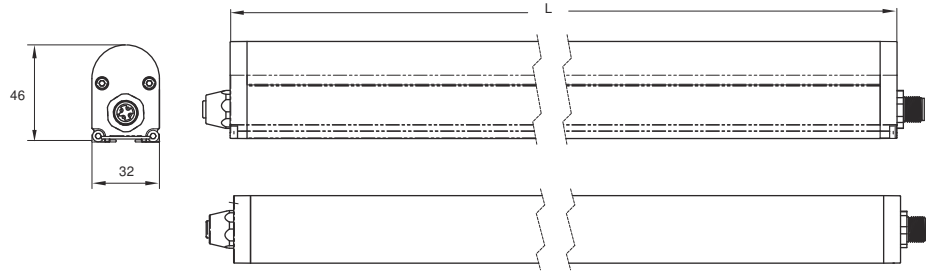
7. C-Cascadable ; Blank-stand alone

8. PB-Switch button ; Blank-No switch

9. Wiring : Blank - M12x1 4-pin , 2M - 2m cable (other cable length canbe customized)

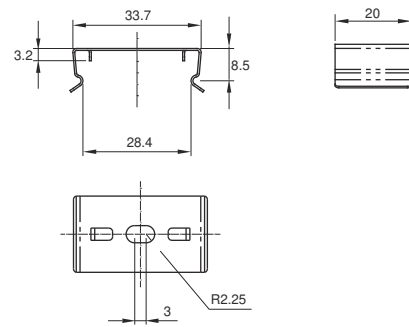
10. Remarks Bit : DC-24VDC , Blank-220VAC

Integrated lighting ELL32



Type NO. : BLZ-05

The default matching mounting brackets, 304 stainless steel, each lamp with two mounting brackets



DC 24V Comment Models parameter table (18~30VDC)

※When 24VDC Voltage input , 1000mm models suggested be in series no more than 2pcs
 ※Wiring way reference to A10



Model	L	Power	Current	Luminous flux	Stand alone/In Series	Switch button	Wiring
ELL32W803-20/8W/2M-DC	300mm	8W	0.34A	600lm	Stand alone	-	2mCable
ELL32W806-20/15W-DC	600mm	15W	0.63A	1125lm	Stand alone	-	2mCable
ELL32W806-20/15W/2M-DC	600mm	15W	0.63A	1125lm	Stand alone	-	2mCable
ELL32W809-20/23W/2M-DC	900mm	23W	1A	1725lm	Stand alone	-	2mCable
ELL32W812-20/30W/2M-DC	1200mm	30W	1.25A	2250lm	Stand alone	-	2mCable

AC 220V Comment Models Parameter Table (85~264VAC)

※220V Voltage input , 1000mm models suggested be in series no more than 10pcs



Model	L	Power	Current	Luminous flux	Stand alone/In Series	Switch button	Wiring
ELL32W803-20/8W	300mm	8W	0.07A	600lm	Stand alone	-	Connector
ELL32W803-20/8W/2M	300mm	8W	0.07A	600lm	Stand alone	-	2mCable
ELL32W803-20/8W-PB/2M	300mm	8W	0.07A	600lm	Stand alone	Yes	2mCable
ELL32W806-20/15W	600mm	15W	0.14A	1125lm	Stand alone	-	Connector
ELL32W806-20/15W/2M	600mm	15W	0.14A	1125lm	Stand alone	-	2mCable
ELL32W809-20/23W	900mm	23W	0.21A	1725lm	Stand alone	-	Connector
ELL32W809-20/23W/2M	900mm	23W	0.21A	1725lm	Stand alone	-	2mCable
ELL32W812-20/30W	1200mm	30W	0.28A	2250lm	Stand alone	-	Connector
ELL32W812-20/30W/2M	1200mm	30W	0.28A	2250lm	Stand alone	-	2mCable
ELL32W812-20/30W-C	1200mm	30W	0.28A	2250lm	Stand alone	-	Connector

Wiring

Series	Pre-moulding connector	Pin out	Connector model <small>※This model is 2m cable , the other length canbe customized</small>	Wiring Diagram
ELL32 (DC)		Female 	ELL32T-K-2M ELL32T-K-Z-2M (Double ended)	
ELL32 (220VAC)		Female 	ELL32S-K-2M ELL32S-K-Z-2M (Double ended)	

High-power fixture with integrated installation for high quality lighting

- LED Module and driver integrated design, compact structure, easy to instal , 3 fluorescent lamps with equal length can be replaced directly
- High-performance PC diffusers, uniform and soft light
- Ra > 80 , R9 > 0 , the color of the object can be restored well
- 24V DC & 220V AC input voltage available
- When 24VDC Voltage input , multiple fixture can be cascaded
- 0-10V dimmer scheme available
- Switch and non-switch models available
- Isolated constant current driver for flicker-free, safe and reliable



ELL120 W 8 06 - 20 / 30W - C - PB - DC

1 2 3 4 5 6 7 8 9

1. Series Name

2. LED Color : W - Cool White 5700K , WW - Warm White 3500K , WP - Pure white 4000K

3. Ra : 80~89

4. Light-emitting surface length(mm) : 300、600、900、1200

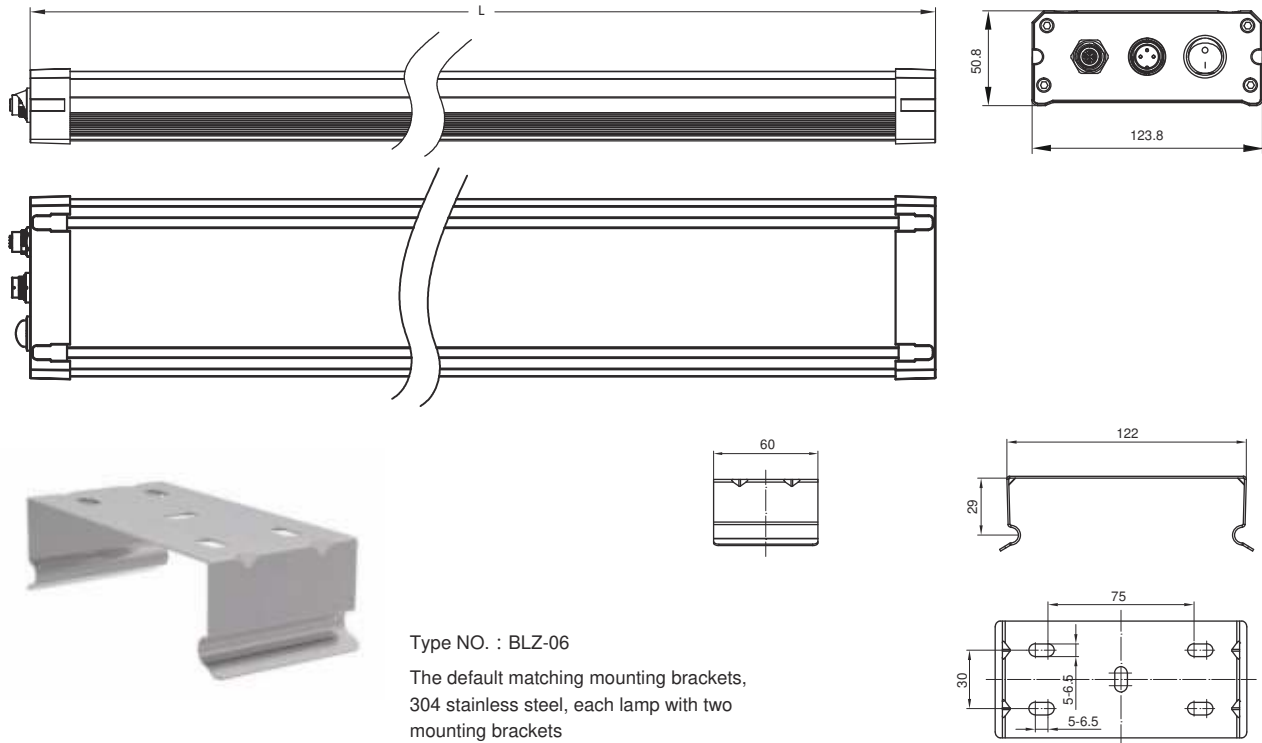
5. IP index : IP20

6. Power : 15W , 30W , 45W , 60W (It can be customized according to the requirements)

7. C-Cascadable ; Blank-stand alone

8. PB-Switch button ; Blank-No switch

9. Remarks Bit : DC-24VDC scheme ; DCDIM-24VDC dimmer scheme ; Blank -220VAC scheme , DIM-220VAC dimmer scheme



Type NO. : BLZ-06

The default matching mounting brackets,
304 stainless steel, each lamp with two
mounting brackets

※When 24VDC Voltage input , select the series type
according to the current situation

※Wiring way reference to A13

※Details of other models and parameters, Please
consult the LED PM

DC 24V Comment Models parameter table (18~30VDC)

Model	Window	L	Power	Current	Luminous flux	Stand alone/In Series	Switch button
ELL120W803-20/15W-DC	PC	300mm	15W	0.65A	1250lm	Stand alone	-
ELL120W806-20/30W-DC	PC	600mm	30W	1.25A	2500lm	Stand alone	-
ELL120W806-20/30W-PB-DC	PC	600mm	30W	1.25A	2500lm	Stand alone	Yes
ELL120W809-20/45W-DC	PC	900mm	45W	1.9A	3750lm	Stand alone	-
ELL120W812-20/60W-DC	PC	1200mm	60W	2.5A	5000lm	Stand alone	-

Integrated lighting ELL120

AC 220V Comment Models Parameter Table (85~264VAC)

※Details of other models and parameters, Please consult the LED PM



Model	L	Power	Current	Luminous flux	Stand alone/In Series	Switch button	Wiring
ELL120W803-20/15W	300mm	15W	0.08A	1250lm	Stand alone	-	Connector
ELL120W803-20/15W-PB	300mm	15W	0.08A	1250lm	Stand alone	Yes	Connector
ELL120W806-20/30W	600mm	30W	0.15A	2500lm	Stand alone	-	Connector
ELL120W806-20/30W-PB-DIM	600mm	30W	0.15A	0-2500lm	Stand alone	Yes	Connector
ELL120W809-20/45W	900mm	45W	0.23A	3750lm	Stand alone	-	Connector
ELL120W812-20/60W	1200mm	60W	0.3A	5000lm	Stand alone	-	Connector
ELL120W812-20/60W-C-DIM	1200mm	60W	0.3A	0-5000lm	Stand alone	-	Connector

Wiring

Series	Pre-moulding connector	Pin out	Connector model <small>※This model is 2m cable , the other length canbe customized</small>	Wiring Diagram
ELL120 (DC)		Female 	ELL120-K-2M ELL120-K-Z-2M (Double ended)	
ELL120 (220VAC)		Female 	ELL32S-K-2M ELL32S-K-Z-2M (Double ended)	
ELL120*-DIM		Female 	EK3-2M/P00 EK4-2M/P00	

High protection integrated lighting ELL70D/90D

Integrated installation , Impact resistant , High anticorrosion for equipment lighting

- Input voltage : 220V AC
- LED Module and driver integrated design , waterproof and dustproof up to IP65
- High-performance thickening PC diffusers , uniform and soft light
- 304 stainless steel hoop , the installation is reliable and convenient
- Wiring : 300mm Cable , length customizable
- Isolated constant current driver for flicker-free , safe and reliable



ELL90D	W	8	12	-	65	/	50W
1	2	3	4	5	6		

1. Series Name

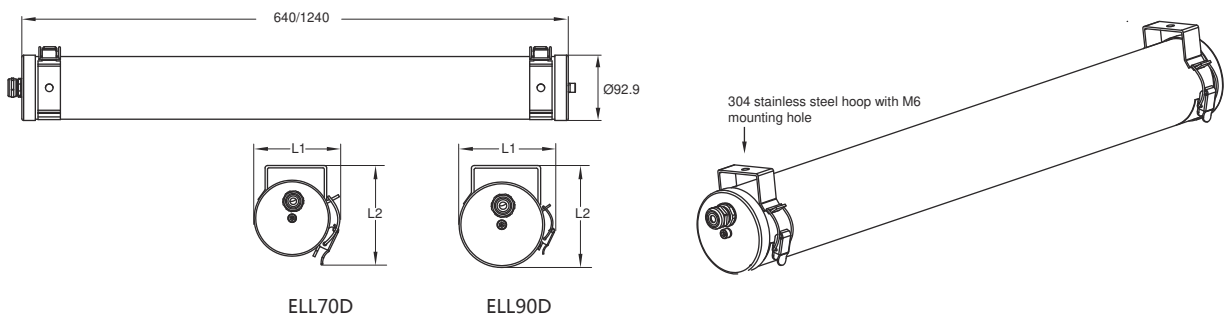
2. LED Color : 5700K

3. Ra : 80~89

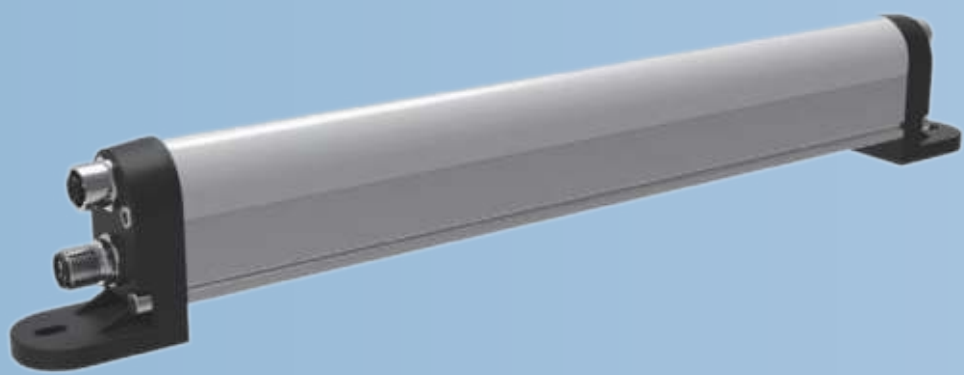
4. Light-emitting surface length(mm) : 600、1200 , the other length can be customized

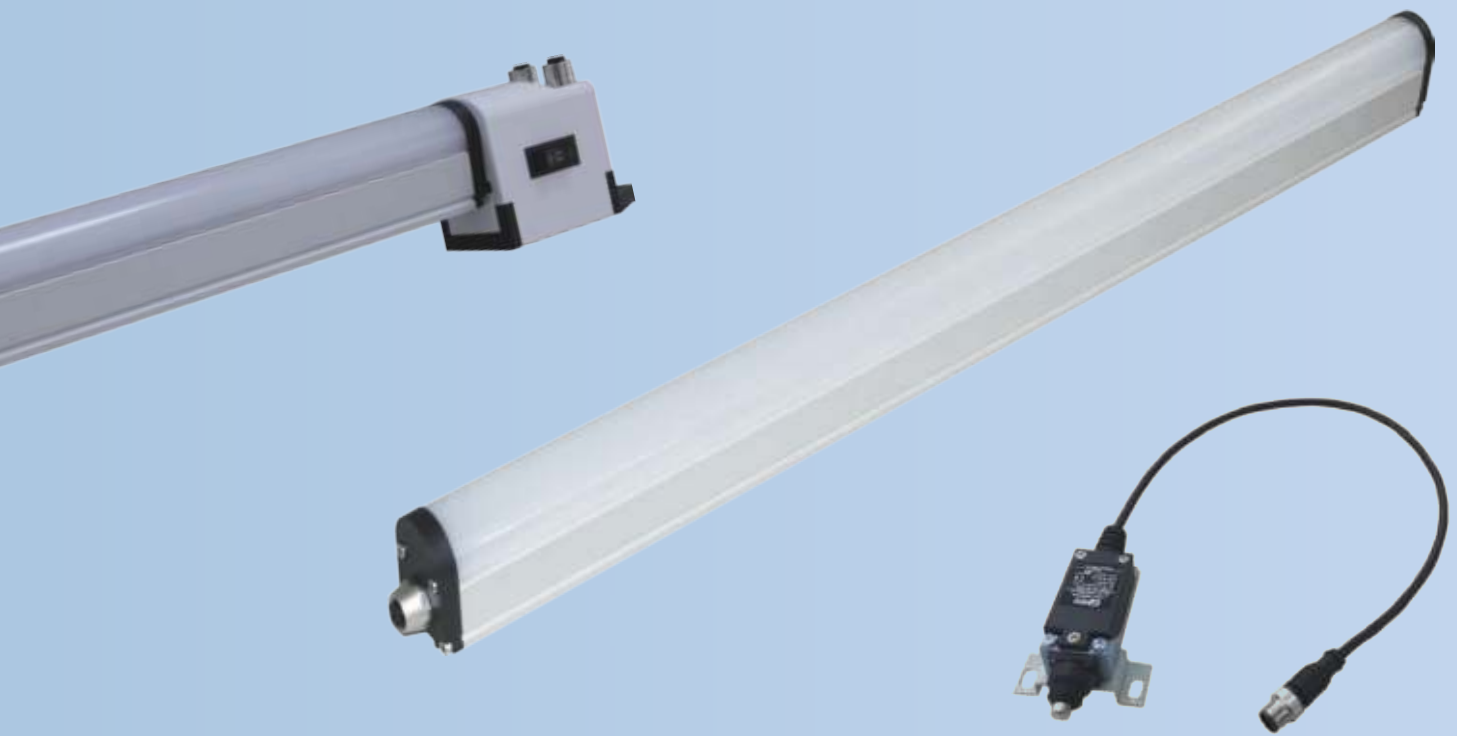
5. IP index : IP65

6. Power



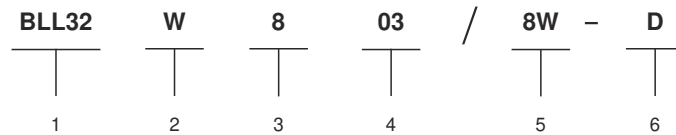
Model	L	L1	L2	Ø	Power
ELL70DW806-65/17W	640	85	100	72.9	17
ELL70DW812-65/34W	1240	85	100	72.9	34
ELL90DW806-65/25W	640	105	110	92.9	25
ELL90DW812-65/50W	1240	105	110	92.9	50





Cabinet Lighting BLL32

B



1. Series Name

2. LED Color : W - Cool White 5700K , WW - Warm White 3500K , WP - Pure white 4000K

3. Ra , 8 : 80~89 (outstanding) ; 7 : 70~79 (good)

4. Light-emitting surface length(mm) : 803-300mm , 805-500mm , 807-700mm

5. Power , 803-8/10W , 805-12W , 807-15W

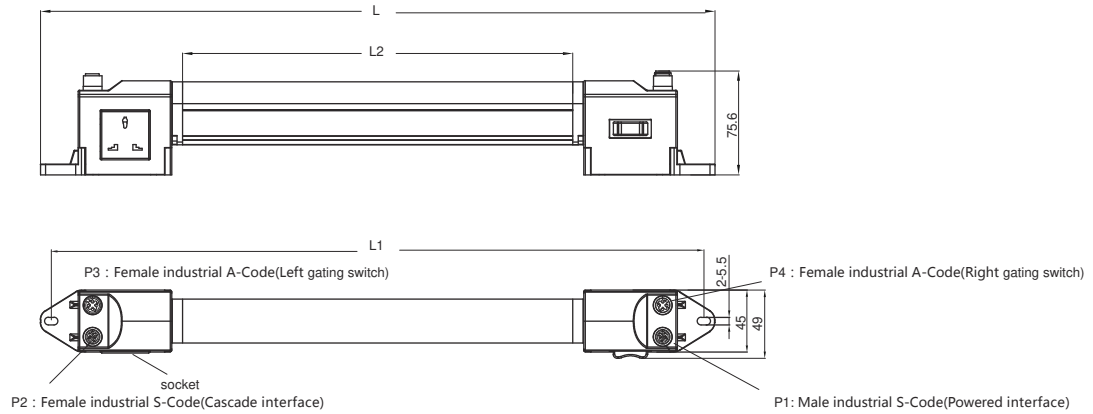
6. Remarks Bit : -D is Muti function type,with socket, manual switch , Dual door operated connector ; -B is basic type , no cascade , single door operated connector ; -E is simple function type , cascade , Dual door operated connector

D Type : Muti function high efficiency cabinet LED light , more flexible , more energy

- 475mm/675mm/875mm 3 different lengths are available
- High soft PC window, light is uniform soft and no glare
- Provide 220V socket, provide convenience to customers for temporary use
- One male and one female industrial S-Code power supply connector on both sides , can be quickly inserted and convenient to cascade between the lamp bodies
- On both sides of the lamp body, the door can be quickly accessed through the connector, which is convenient for the control of different cabinet such as left door and right door operated
- With manual switch, switch 3 mode optional: On / Off / Door operated
- The luminous lamp body can be rotated by 90 degrees, and the maximum illumination is irradiated in the illuminated area, so that the energy saving is more efficient



※The maximum current at the socket shall be less than 5A



AC 220V Comment Models Parameter Table (85~264VAC)



Model	L1	L	L2	Power	Current (220VAC)	Luminous flux
BLL32W803/8W-D	475mm	491mm	284mm	8W	0.08A	600lm
BLL32W805/12W-D	675mm	691mm	484mm	12W	0.11A	900lm
BLL32W807/15W-D	875mm	891mm	684mm	15W	0.14A	1125lm

Gating switch (Order separately)

Type NO : BLL32-XW/0.5MQ-AZ

500mm Pigtail connector , mounting hole spacing 50mm

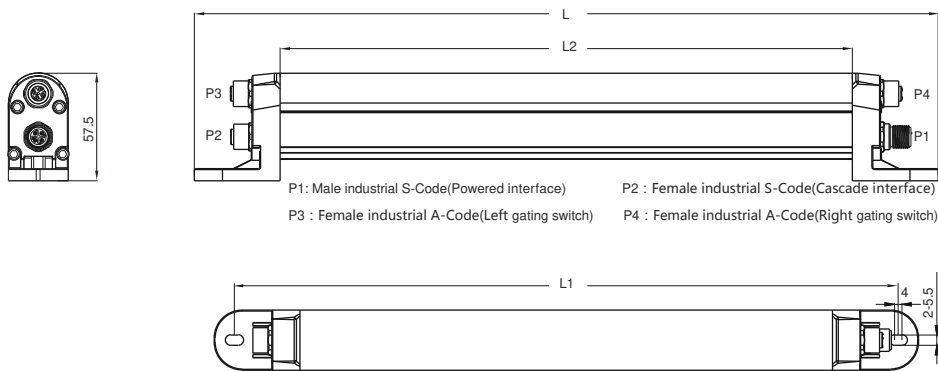


Wiring

Interface	Pre-moulding connector	Interface form	Connector model <small>※This model is 2m cable , the other length canbe customized</small>	Wiring Diagram
Powered/Cascade		P1 P2 	ELL32S-K-2M (Powered) ELL32S-K-Z-2M (Cascade)	
Gating switch		P3, P4 Gating switch 		

E Type : Gating switch&Cascade , simple but multifunctional

- 375mm/575mm/775mm 3 different lengths are available
- High soft PC window, light is uniform soft and no glare
- One male and one female industrial S-Code power supply connector on both sides , can be quickly inserted and convenient to cascade between the lamp bodies
- On both sides of the lamp body, the door can be quickly accessed through the connector, which is convenient for the control of different cabinet such as left door and right door operated



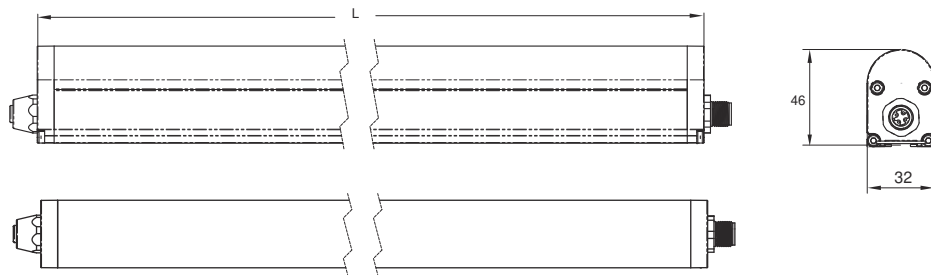
※Matching gating switch and connector reference to B02

AC 220V Comment Models Parameter Table (85~264VAC)

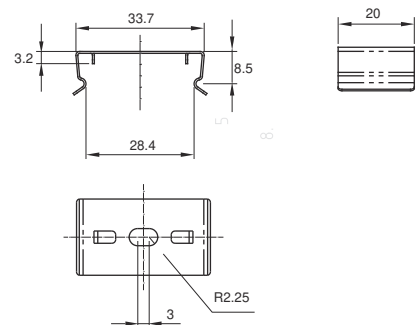
Model	L1	L	L2	Power	Current (220VAC)	Luminous flux
BLL32W803/10W-E	375mm	397mm	305mm	10W	0.09A	750lm
BLL32W805/12W-E	575mm	597mm	505mm	12W	0.11A	900lm
BLL32W807/15W-E	775mm	797mm	705mm	15W	0.14A	1125lm

B Type : Basic cabinet lamp

- 300mm/500mm/700mm 3 different lengths are available
- High soft PC window, light is uniform soft and no glare
- One industrial S-Code power supply connector on one side , One industrial A-Code connector for gating switch on another side



Type NO. : BLZ-05
 The default matching mounting brackets,
 304 stainless steel, each lamp with two
 mounting brackets



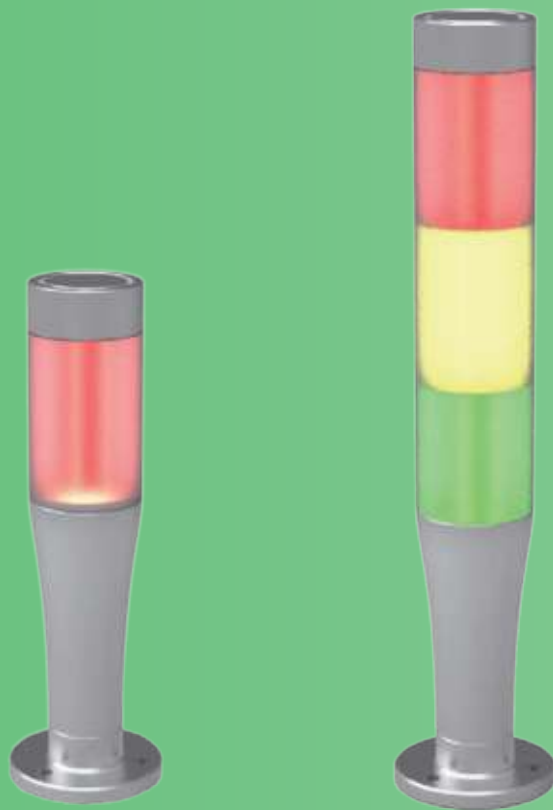
※Matching gating switch and connector reference to B02

AC 220V Comment Models Parameter Table (85~264VAC)



Model	L	Power	Current (220VAC)	Luminous flux
BLL32W803/10W-B	316mm	10W	0.09A	750lm
BLL32W805/12W-B	516mm	12W	0.11A	900lm
BLL32W807/15W-B	716mm	15W	0.14A	1125lm





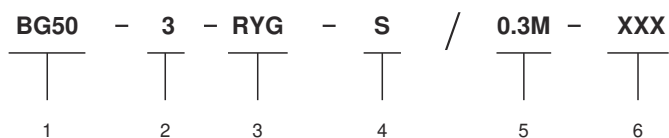
LED Indicators

C

LED Signal Tower light BG50

Integrated LED Tower light which can provide a concise state indication for equipment

- Integrated tower light with simple and generous shape
- Diameter 50mm, and the 1 segment /3 segments are available with different heights
- Different colors are available , single segment that can display RGB 3 colors , the color of three segment from top to bottom are red, yellow, green
- Input voltage: 24V DC
- Alarm buzzer is available
- Cabled and quick-disconnect models available



1. Series Name

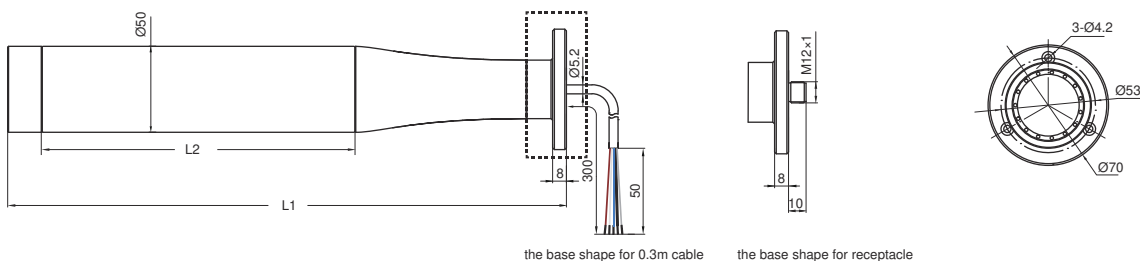
2. Display layer , 1 : single segment ; 3 : three segments

3. Color : R : red ; G : green ; Y : yellow ; B : blue , even single segment can display three colors

4. S : Continuous alarm buzzer , 80dB

5. Wiring : Blank - M12x1 5-pin , 0.3M - 0.3m cable (other cable length canbe customized)

6. Remarks Bit



Connector/0.3m cable Wiring

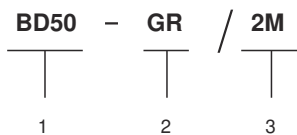


Model	Display layer	Color	L1	L2	Buzzer	Wiring	Power
BG50-1-RGB	1	R/G/B	213mm	70mm	-	Connector	R : 2.1W G : 1.8W B : 2.1W Y : 2.1W
BG50-1-RGB-S	1	R/G/B	213mm	70mm	Yes	Connector	
BG50-1-RGB-S/0.3M	1	R/G/B	213mm	70mm	Yes	0.3m cable	
BG50-3-RYG-S	3	R/Y/G	325mm	182mm	Yes	Connector	
BG50-3-RYG-S/0.3M	3	R/Y/G	325mm	182mm	Yes	0.3m cable	

LED Bulb Indicators BD50

Play a important role with a small body

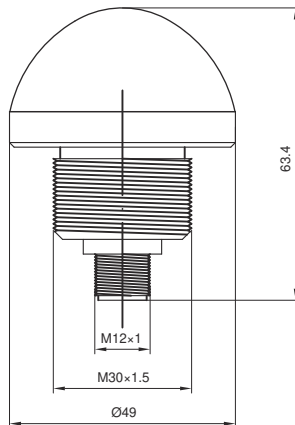
- Alumina housing with anodizing surface , The body is firm and easy to heat
- Body diameter 50mm , Base diameter 30mm , installation conveniency
- Red and green two basic colors, other colors can be customized
- Input voltage: 24V DC
- Cabled and quick-disconnect models available



1. Series Name

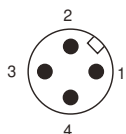
2. Color : R : red ; G : green(The default color is red and green, and the other colors need to be customized)

3. Wiring : Blank - M12x1 4-pin , 2M - 2m cable (other cable length canbe customized)

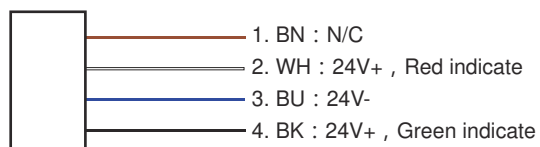


Model	Color	Wiring	Power
BD50-GR	R/G	Connector	24V: R : 20mA
BD50-GR/2M	R/G	2m cable	G : 10mA

Connector/2m cable Wiring



Connector Model :
EK3-2M/P00
EK4-2M/P00



Feedback indication with a button



- Alumina housing with anodizing surface , The body is firm and easy to heat
- Press type stainless steel mechanical button
- Body diameter 50mm , Base diameter 30mm , installation conveniency
- Red and green two basic colors, other colors can be customized
- Input voltage : 24V DC
- Cabled and quick-disconnect models available

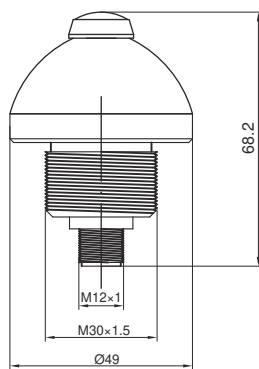


1. Series Name

2. Color , R : red ; G : green

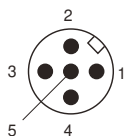
3. Button information , PB1 : Button feedback signal , No logic ; Blank : No button

4. Wiring : Blank - M12x1 5-pin , 2M - 2m cable (other cable length canbe customized)

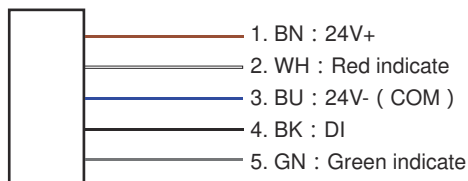


Model	Color	Wiring	Power
BD50-GR-PB1	R/G	Connector	24V: R : 20mA
BD50-GR-PB1/2M	R/G	2m cable	G : 10mA

Connector/2m cable Wiring



Connector Model :
EK4.5-2M/P00



GSEETECH

—— 吉言诺行 ——



Geneuo Wechat



Geneuo Website

GSEETECH | Tianjin Geneuo Technology Co.,Ltd

Add: Technology Avenue South Jinghai Economic Development Area Tianjin

Tel: +86-22-68277298 Fax: +86-22-68277161

Url: www.gsee-tech.cn www.gsee-tech.com